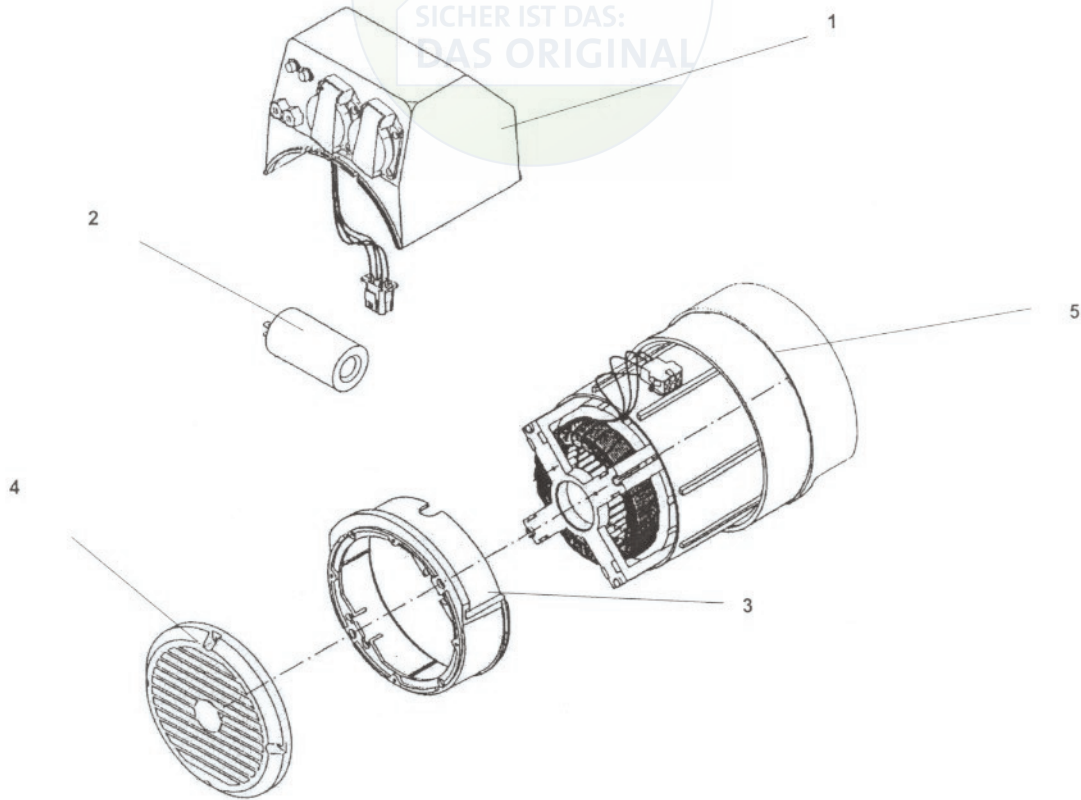


N.	CODE	Q.TY	DESCRIPTION
A		1	ENGINE
B	18560202/0	1	ALTERNATOR
1	81007036/0	1	HANDLE
2	81006457/0	1	FRAME (BACK)
3	22399803/0	2	KNOB
4	12819201/0	2	SCREW
5	12293200/0	2	NUT
6	22033349/0	2	SHAFT
7	81534301/0	1	PLATE
8	22680006/1	2	WASHER
9	12521370/0	2	WASHER
10	81007325/0	2	WHEEL
11	12523060/0	2	WASHER
12	12604899/0	2	ELASTIC RING
13	81003803/0	1	SPIRAL
14	12151510/0	8	NUT
15	12815220/0	8	SCREW
16	81006455/0	1	FRAME (FRONT)
17	81735700/0	2	DAMPER X
18	22430200/0	2	SPRING
19	22735650/0	2	BELLOWS
20	22735700/0	2	DAMPER X
21	22430200/0	2	SPRING
22	22735650/0	2	BELLOWS
23	22110290/0	2	HUBCAP
24	12789020/0	4	SCREW
25	12154330/0	4	NUT

FIX ALTERNATOR			
N.	CODE	Q.TY	DESCRIPTION
	12293201/0	3	NUT
	12691100/0	2	SCREW M8X35
	12691800/0	1	SCREW M8X60

FIX ENGINE			
N.	CODE	Q.TY	DESCRIPTION
	12583500/0	4	GROWER
	12735803/0	4	SCREW

Schutz M1-227 35650-0



N.	CODE	Q.TY	DESCRIPTION
1	18560204/0	1	PANEL
2	18560208/0	1	CAPACITOR
3	18560207/0	1	COVER SUPPORT
4	18560206/0	1	COVER GRID
5	18560202/0	1	ALTERNATOR

18560201-0 Alternator compl. m. Schalter/Steckdosen